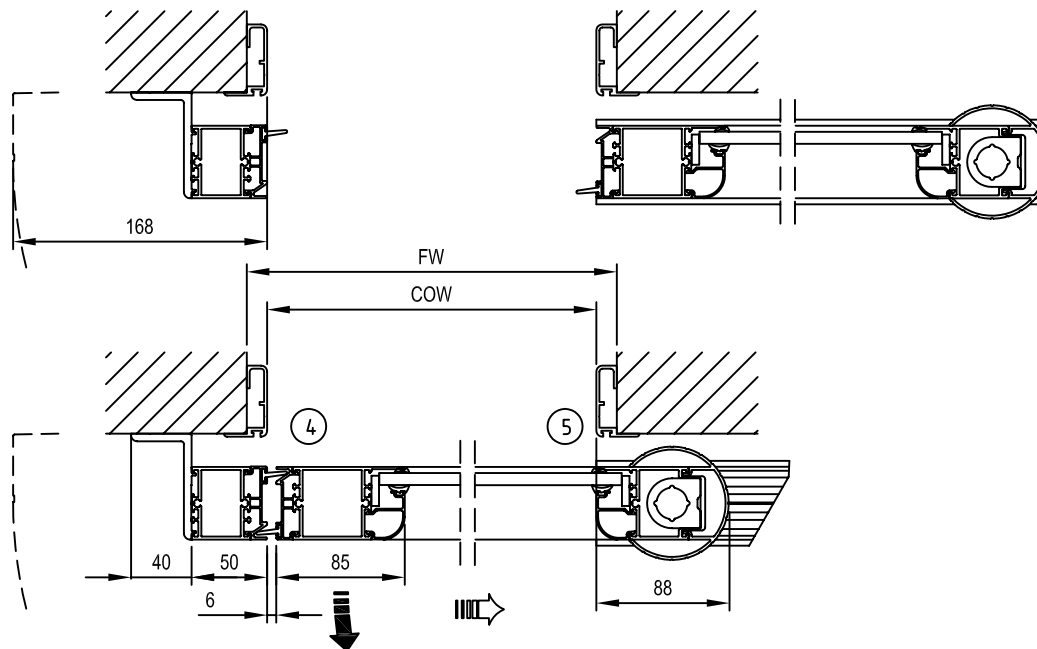
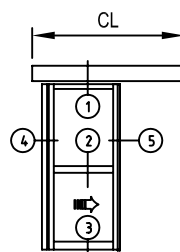


Insulated glass



- FW= Frame width  
Min. 928 / max. 1228
- FH= Frame height  
Min. 2100 / max. 2400
- COW= Clear opening width  
COW=FW-27
- COH= Clear opening height  
COH=FH
- CL= Cover length

State when ordering

- FW=.....mm
- FH=.....mm
- COW=.....mm
- COH=.....mm
- Cover Yes
- CL=.....mm
- Midrail 70 Yes
- Midrail 150 Yes
- MH=.....mm
- Bottom rail 178 Yes

Surface treatment

- Silver anodized
- Special anodized.....
- RAL.....
- Special powder coating.....
- .....

Glass

- 6 mm laminated glass
- 8 mm laminated glass
- 6 mm tempered glass
- 8 mm tempered glass

(Rectangular glazing beads)

- 6/10/6 mm Insulated lam. glass
- 8/24/8 mm Insulated lam. glass

Lock

- ASSA 2-way Yes
- Euro 1-way Yes
- Euro 2-way Yes

Scale 1:5

Customer:

Besam ref:

Door id:

Date:

Project No:

Sign:

**ADS Automatic Door System**  
**Frame reverse break-out UniSlide**  
**1 Panel wall mounted, right opening**  
**Article No. 1000212**



B

1000110