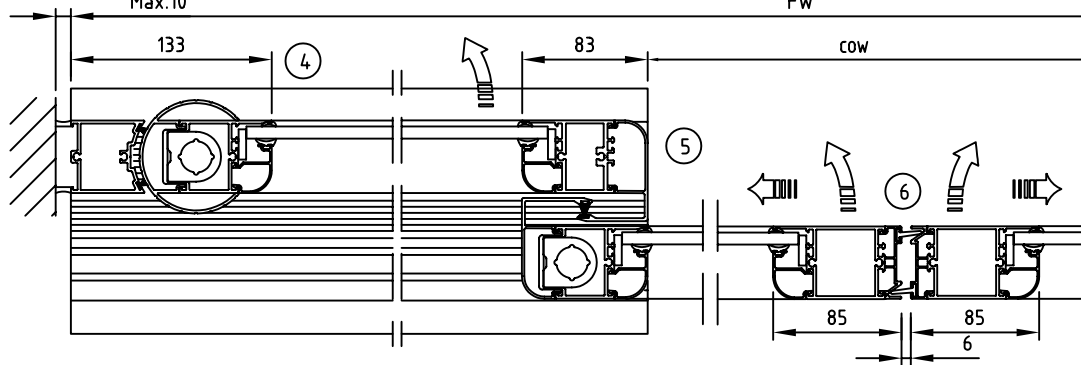


Insulated glass



- FW= Frame width  
Min. 2300 / max. 5000  
 $FW=2COW+160+2X$
- FH= Frame height  
Min. 2100 / max. 2400
- X= Min. safety distance 160 mm
- COW= Clear opening width  
 $COW=(FW-160-2X)/2$
- COH= Clear opening height  
 $COH=FH-55$
- CL= Cover length

State when ordering

- FW=.....mm  
FH=.....mm  
X=.....mm  
COW=.....mm  
COH=.....mm  
CL=.....mm  
 Midrail 70  
 Midrail 150  
MH=.....mm  
 Bottom rail 178

Surface treatment

- Silver anodized  
Special anodized.....  
RAL.....  
Special powder coating.....

Glass

- 6 mm laminated glass  
 8 mm laminated glass  
 6 mm tempered glass  
 8 mm tempered glass

(Rectangular glazing beads)

- 6/10/6 mm Insulated lam. glass  
 8/24/8 mm Insulated lam. glass

Lock

- ASSA 2-way  
 Euro 1-way  
 Euro 2-way

Scale 1:5

Customer:

Besam ref:

Door id:

Date:

Project No:

Sign:

**ADS Automatic door system**  
**Frame break-out UniSlide**  
**4 Panel wall mounted**  
**Article No. 800075**



E

832978