

FW= Frame width
 Min. 1600 / max. 4800
 $FW=1,5COW+131+X$

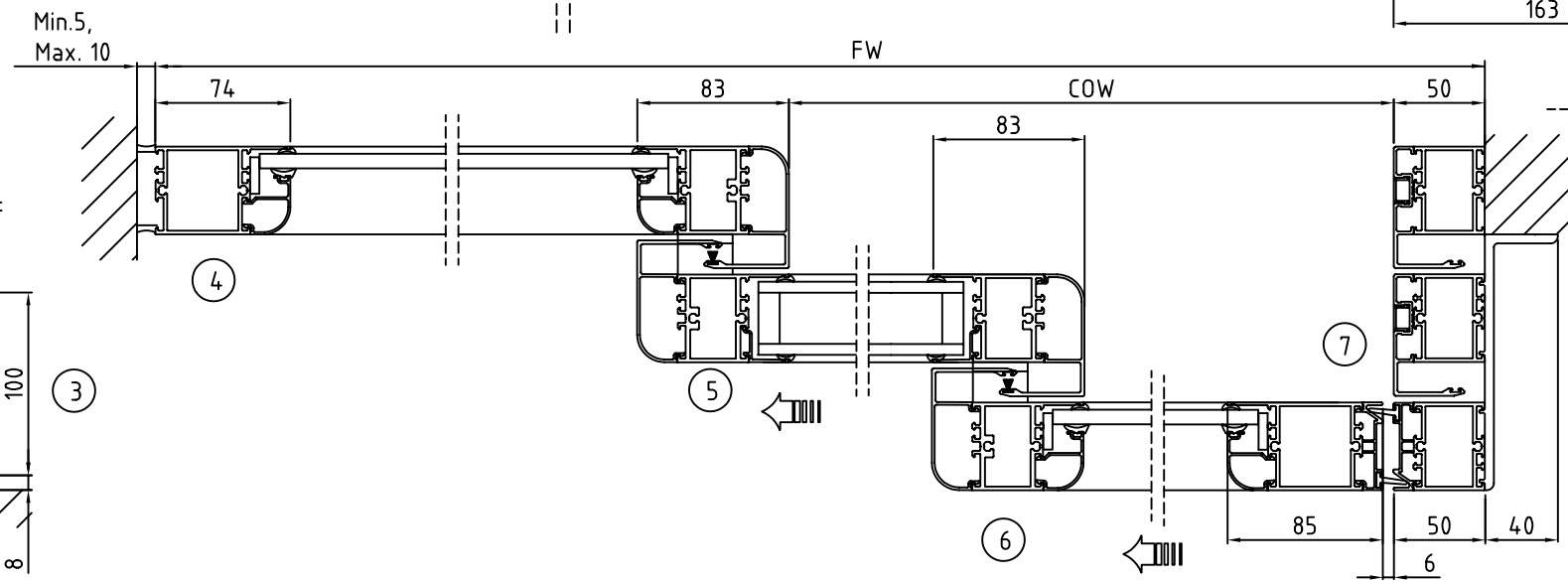
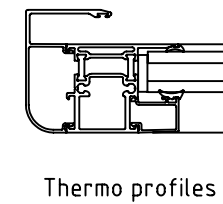
FH= Frame height
 Min. 2050 / max. 3150

X= Distance to avoid finger trap (100 mm)
 Distance to avoid head trap (200 mm)

COW= Clear opening width
 $COW=(2FW-2X-262)/3$

COH= Clear opening height
 $COH=FH-156$

CL= Cover length



State when ordering

- FW=.....mm
- FH=.....mm
- X=.....mm
- COW=.....mm
- COH=.....mm
- Cover Yes
- CL=.....mm
- Midrail 70 Yes
- Midrail 150 Yes
- MH=.....mm
- Bottom rail 178 Yes

Surface treatment

- Silver anodized
- Special anodized.....
- RAL.....
- Special powder coating.....

Glass

- 6 mm laminated glass
- 8 mm laminated glass
- (Rectangular glazing beads)
- 6/10/6 mm Insulated lam. glass
- 8/24/8 mm Insulated lam. glass
- Thermo profiles

Lock

- ASSA 2-way Yes
- Euro 1-way Yes
- Euro 2-way Yes

Customer:

Besam ref:

Door id:

Date:

Project No:

Sign:

ADS Automatic door system
Frame telescopic UniSlide
3 Panel beam mounted left
Article No. 800159



G

832991