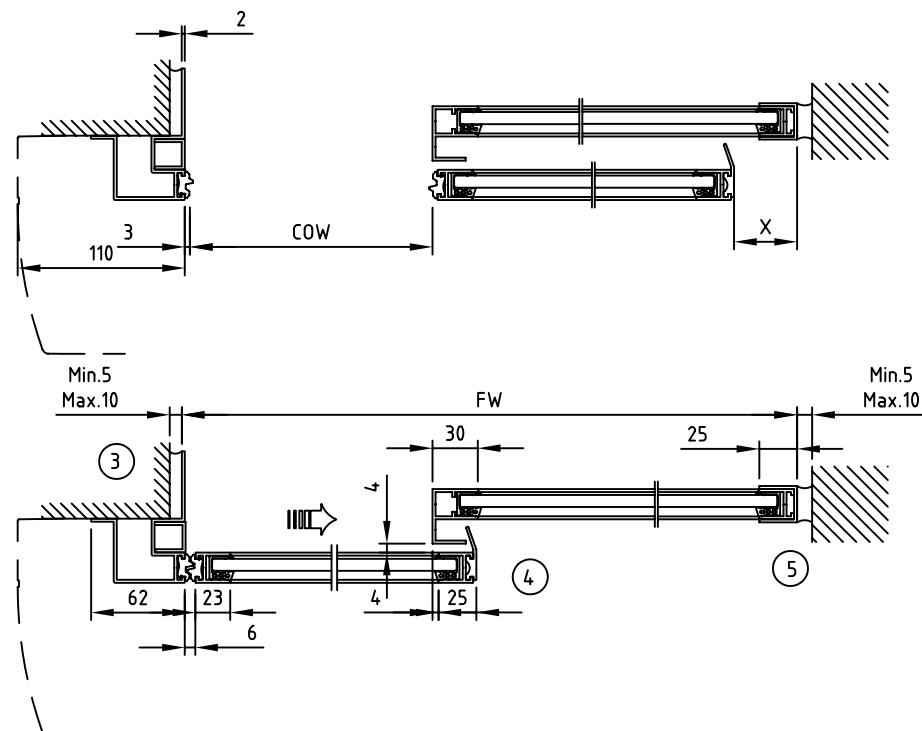


Inside



- FW= Frame width
Min. 1800 / max. 3000
 $FW=2COW+35+X$
- FH= Frame height
Min. 1950 / max. 3000
- X= Distance to avoid finger trap (25 mm)
- COW= Clear opening width
 $COW=(FW-35-X)/2$
- COH= Clear opening height
 $COH=FH-50$
- CL= Cover length

- State when ordering
- FW=.....mm
 - FH=.....mm
 - X=.....mm
 - COW=.....mm
 - COH=.....mm
 - Cover
 - CL=.....mm

- Surface treatment
- Silver anodized
 - Special anodized.....
 - RAL.....
 - Special powder coating.....
 -

- Glass
- 8 mm laminated glass
 - 10 mm laminated glass
 - 12 mm laminated glass
 - 8 mm tempered glass
 - 10 mm tempered glass

- Lock
- Floor lock Euro 1-way
 - Floor lock Euro 2-way

Scale 1:5

Customer: _____

Door id: _____

Project No: _____

Besam ref: _____

Date: _____

Sign: _____

ADS Automatic door system
Slim UniSlide
4 Panel wall mounted
Article No. 800091



F **832998**