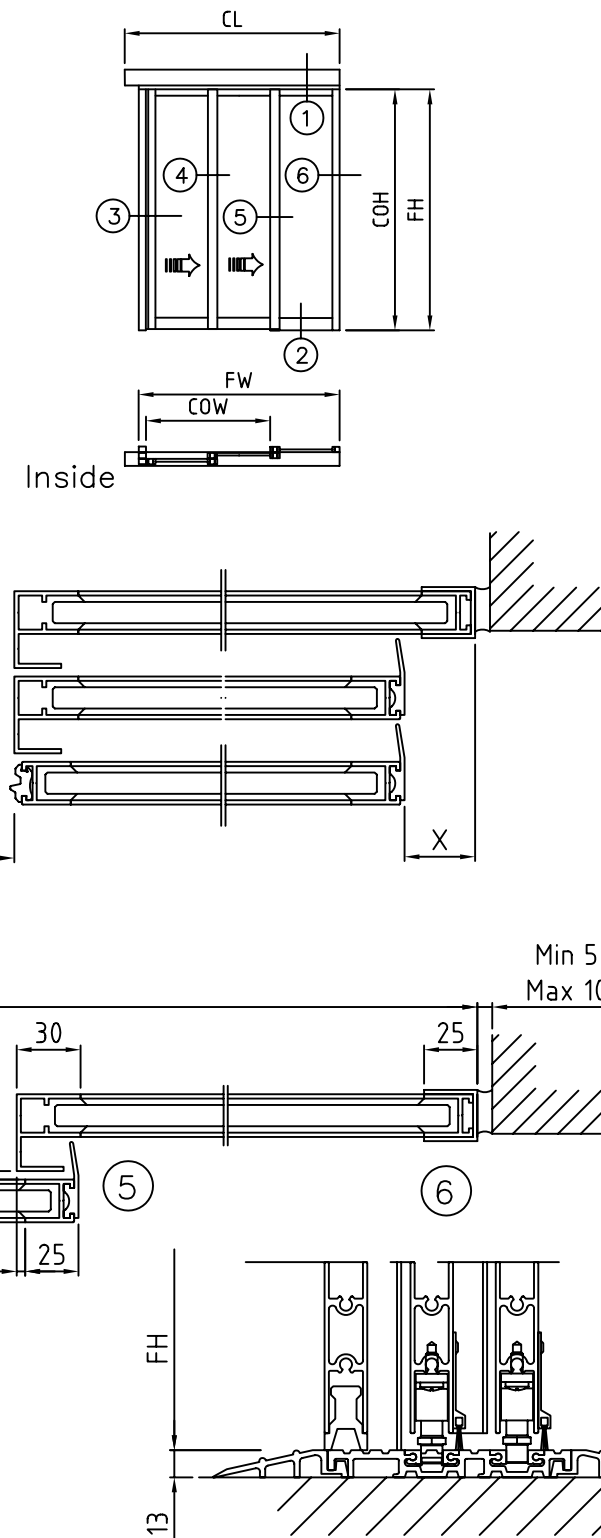


- FW= Frame width
Min. 1600 / max. 4800
 $FW=3COW/2+33,5+X$
- FH= Frame height
Min. 1950 / max. 3000
- X= Safety distance (50 mm)
- COW= Clear opening width
 $COW=2(FW-33,5-X)/3$
- COH= Clear opening height
 $COH=FH-50$
- CL= Cover length



State when ordering

- FW=.....mm
- FH=.....mm
- X=.....mm
- COW=.....mm
- COH=.....mm
- Cover Yes
- CL=.....mm

Surface treatment

- Silver anodized
- Special anodized.....
- RAL.....
- Special powder coating.....

Glass

- 8 mm laminated glass
- 10 mm laminated glass
- 12 mm laminated glass
- 8 mm tempered glass
- 10 mm tempered glass

Lock

- Floor lock Euro 1-way Yes
- Floor lock Euro 2-way Yes

Scale 1:5

Customer: _____

Door id: _____

Project No: _____

Besam ref: _____

Date: _____

Sign: _____

ADS Automatic door system
Slim telescopic UniSlide
3 Panel wall mounted right
Article No. 800225

besam 

E **833062**