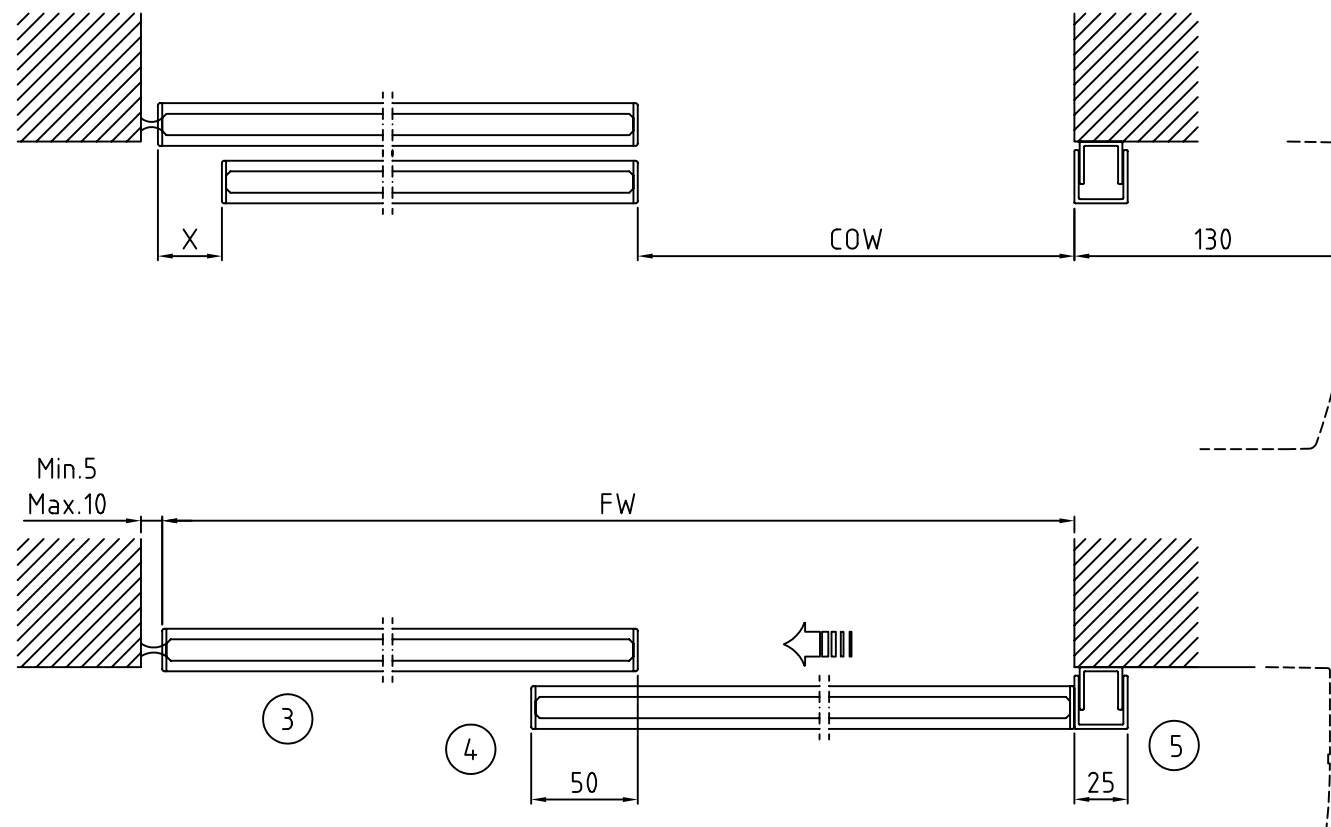


Inside



FW= Frame width
Min. 1900 / max. 3000
 $FW = 2COW + 50 + X$

FH= Frame height
Min. 1900 / max. 3000

X= Distance to avoid finger trap (30 mm)

COW= Clear opening width
 $COW = (FW - 50 - X) / 2$

COH= Clear opening height
 $COH = FH$

CL= Cover length

State when ordering

FW=.....mm
FH=.....mm
X=.....mm
COW=.....mm
COH=.....mm
Cover Yes
CL=.....mm

Surface treatment

Silver anodized
Special anodized.....
RAL.....
Special powder coating.....
.....

Glass

10 mm tempered glass
No glass

Lock


Floor lock Euro 1-way Yes
Floor lock Euro 2-way Yes

Scale 1:5

Customer: _____
Door id: _____
Project No: _____

Besam ref: _____
Date: _____
Sign: _____

ADS Automatic door system
Semi Transparent UniSlide
2 Panel wall mounted left
Article No. 800325

besam 

B **1000031**