



## Besam Telescopic Sliding Door Operator UniSlide T

### Impressive entrances

The Besam telescopic sliding door operator UniSlide T maximises the opening width and provides an impressive solution when space is of prime criteria. Besam UniSlide T is available for bi-parting/four leaf and single slide/two leaf doors. The UniSlide T can be integrated as part of Besam Automatic Door Systems but it can also be adapted to a wide range of different door and customer requirements.

### High performance – Easy installation

Many of the most valuable features and innovations that characterize Besam's strive for optimal function and performance are combined in Besam UniSlide T. With all units completely assembled in the support beam it is just as easy to install as a replacement as for new installations. Although it is very small and slim in appearance, it is entirely suitable for the heaviest duty applications.

### No compromise on safety

To permit safe passage between closing doors, the doors immediately reverse if an obstruction is detected,

then resume their interrupted movement at low speed to check whether the obstruction has disappeared or not. If an obstruction is detected between opening doors and surrounding walls or interior fittings, the door immediately stops and then closes after a time delay.

The safety can be further improved by using a Besam presence detection system. People or objects in the doorway are detected and the door is then prevented from closing until it is safe to do so.

To meet the requirements of BS7036:1996 it may be necessary to incorporate additional safety units such as finger/head/body trap protection, presence safety units and in some situations hinged pocket safety screens. We recommend that you call your Besam area sales contact to assist you in specifying these products. We can help you to ensure that each installation meets the requirements and recommendations of BS7036:1996, BS8300, Building Regulations Part M and the DDA.

### Self-monitoring

The microprocessor has an integral self-monitoring device which detects

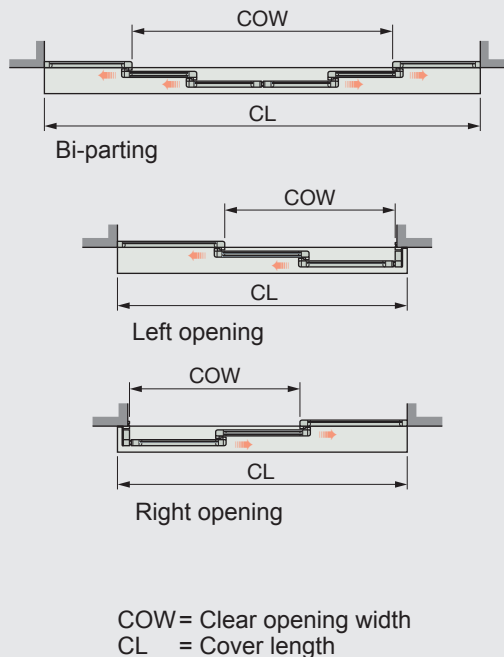
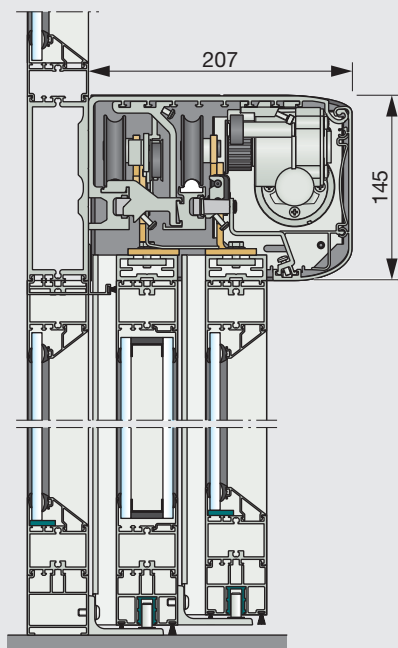
any interference or faulty signals in door operation and takes necessary measures to ensure a safe operation.

### Design

The drive unit, control unit, transmission – or optional emergency unit and electromechanical locking device – are all assembled in the support beam. The drive unit transmits movement to the door leaves by means of tooth belts. The door leaves with integrated or separately mounted door adaptors can be adjusted height-, length- and depth-wise. Journalled steel rollers and sliding tracks made of high-grade plastic give exceptionally smooth and silent operation.

### Emergency

Besam UniSlide T can either be combined with a mechanical emergency unit that automatically opens the doors—or an electronic emergency unit that automatically opens or closes the doors—in the event of a power failure. The UniSlide T can also be interfaced with fire alarms or smoke detectors.



## Technical Data Besam UniSlide T

### Models

- UniSlide T-2 4 leaves, bi-parting
- UniSlide T-1 2 leaves, single slide, right or left opening

### Standard equipment

Operator including:

- Support beam with transmission
- Electronic control unit with plug-in connections and power supply
- Traffic-controlled opening width
- Synchronizing of two operators

### Accessories and Options

- Cover:
  - clear anodized aluminium (other anodizing optional)
  - paint finished in colour RAL 9010 (paint finishes according to RAL chart optional)

- Door adaptor for doors up to 65 mm thickness made by others
- Programme selectors
- Electronic emergency opening or closing unit
- Mechanical emergency opening unit
- Break-out unit
- Emergency button
- Besam approach and presence sensor
- Presence detection photocells
- Electromechanical locking devices
- Interlocking between two operators
- Key switch
- Besam Automatic Door systems

### Technical specifications

- Power supply: 100 V AC -15% to 240 V AC +10%; 50/60 Hz
- Power consumption: max. 250 W
- Recommended max. door weight:
 

UniSlide T-2	75 kg/door leaf
UniSlide T-1	100 kg/door leaf
- Clear opening:
 

UniSlide T-2	1600 – 4000 mm
UniSlide T-1	1000 – 3990 mm
- Opening and closing speed: variable up to 1,4 m/s (4 leaves)
- Hold open time: 0 – 60 s
- Ambient temperature: -20°C to +50°C
- Relative humidity (non-condensing): Max 85%



Besam Ltd. Washington House, Brooklands Close, Sunbury on Thames, Middlesex TW16 7EQ

Tel: +44 1932 765 888 Fax: +44 1932 765 864

info@besam.co.uk • www.besam.com