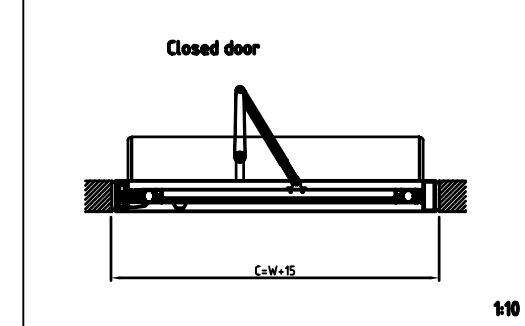
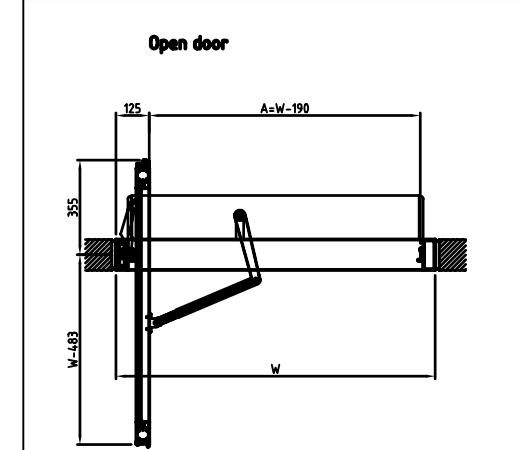
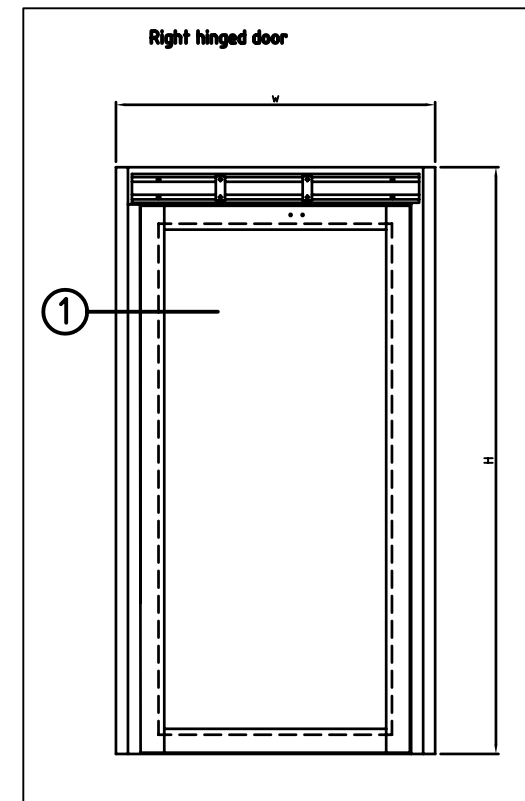
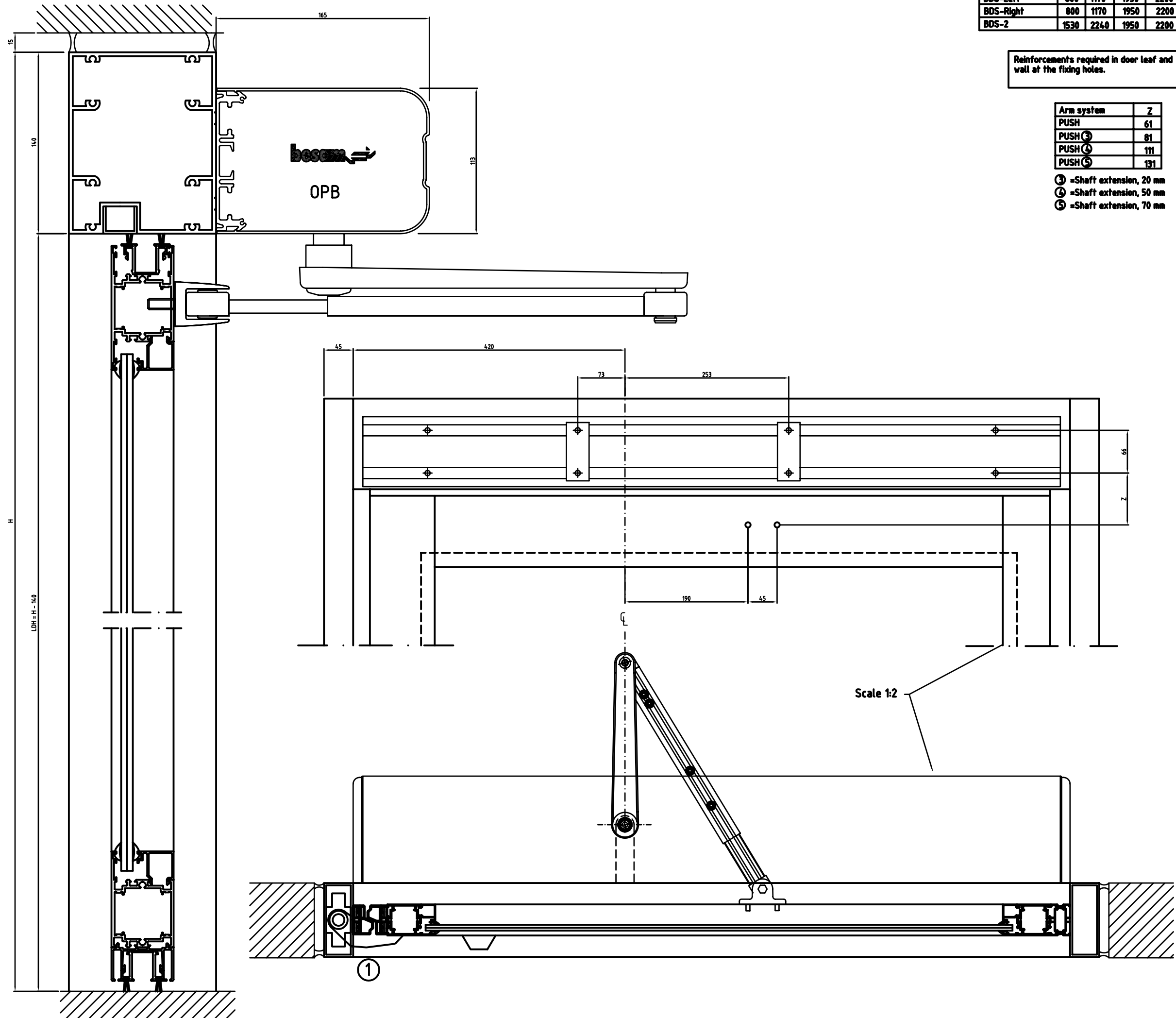


	B min	B max	LDH min	LDH max
BDS-Left	800	1170	1950	2200
BDS-Right	800	1170	1950	2200
BDS-2	1530	2240	1950	2200

Reinforcements required in door leaf and wall at the fixing holes.

Arm system	Z
PUSH	61
PUSH ③	81
PUSH ④	111
PUSH ⑤	131

- ③ =Shaft extension, 20 mm
- ④ =Shaft extension, 50 mm
- ⑤ =Shaft extension, 70 mm



- ① Hinges
- ⌋ Operator drive shaft
- ⌋ Reinforcement

1:10

BDS-R/L, OPB

Balance door system with PUSH arm system

**becam**  
 Beumers AG  
 Postfach 100 221 Landshut, Dresden  
 Tel. +49 359 220 0  
 Fax +49 359 220 10