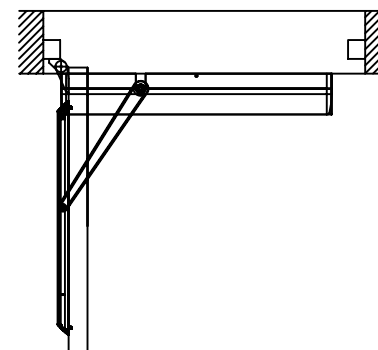
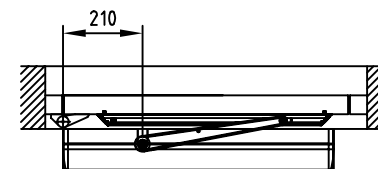
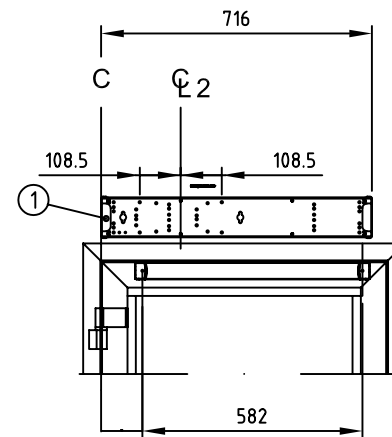


Y=	Shaft extension
46	0
66	20
96	50
116	70

- CL1 Hinges
- CL2 Operator drive shaft
- A Reveal max. 130mm
- 1 Cable inlet
- 2 Reinforcements required in door leaf and at fixing holes



Customer:

Besam ref:

Door id:

Date:

Project No:

Sign:

PowerSwing
Arm system Pull

Swing door operator

besam

E

173670