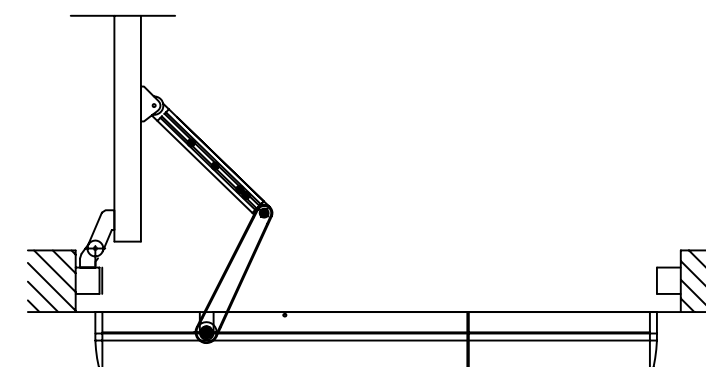
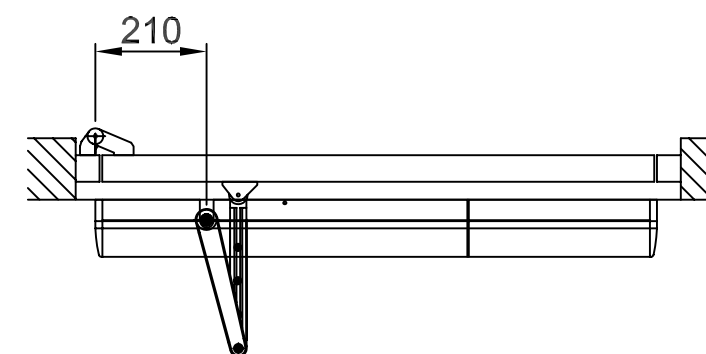
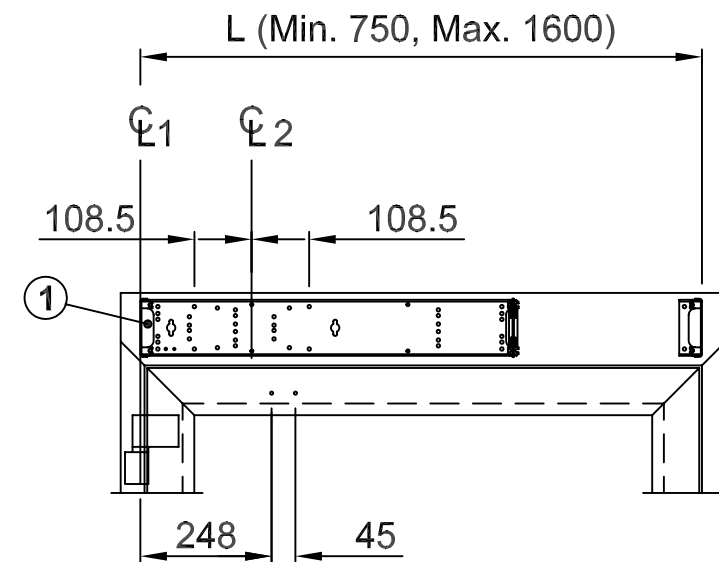


Y=	Shaft extension
48	0
68	20
98	50
118	70



- CL1 Hinges
- CL2 Operator drive shaft
- A Reveal max. 130mm
Optional max. 400mm
- 1 Cable inlet
- 2 Reinforcements required in door leaf and at fixing holes

Note! State L when ordering

PowerSwing - Spec
Arm system Push/SAS-F
Swing door operator



D

173671