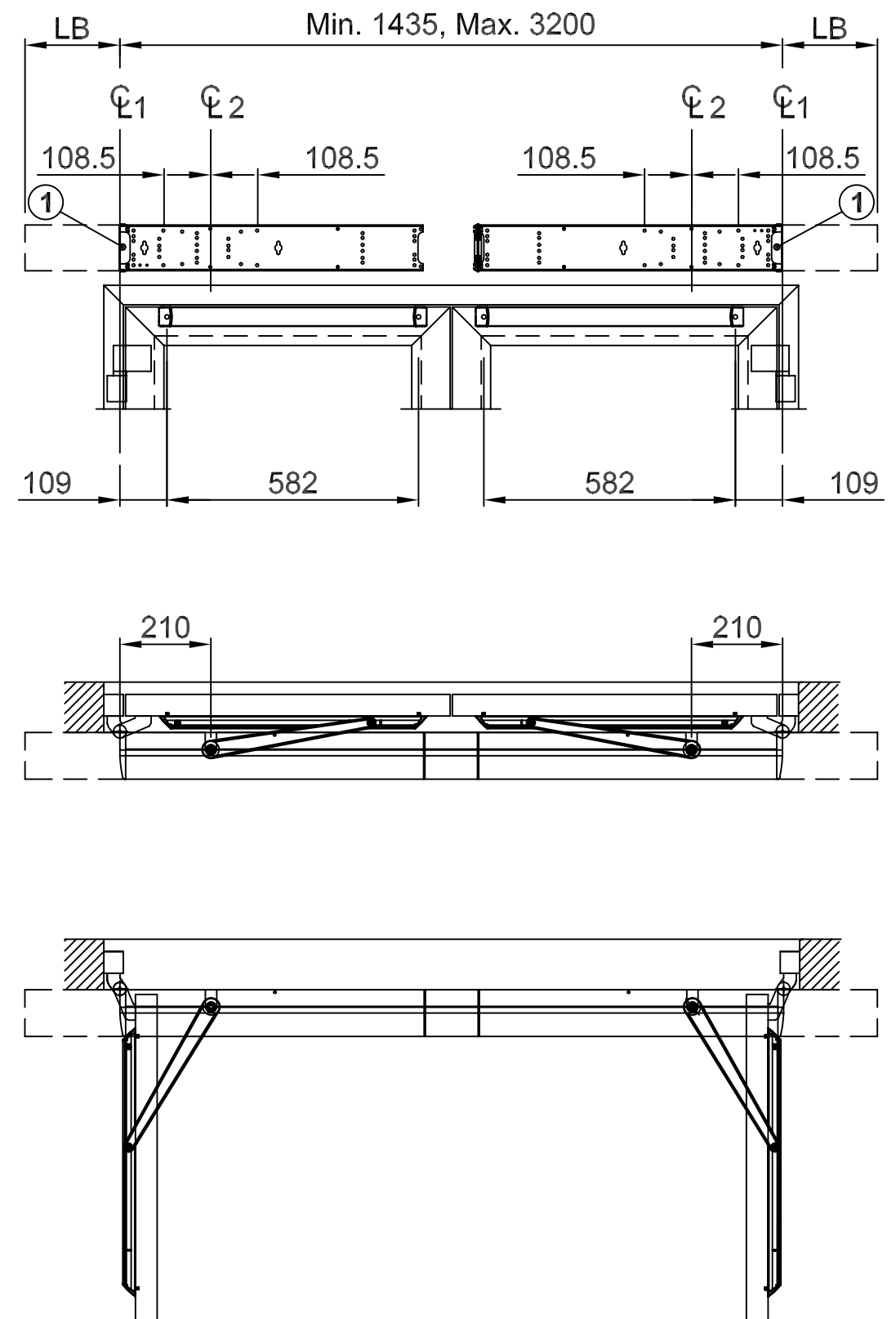


Y=	Shaft extension
46	0
66	20
96	50
116	70

- CL1 Hinges
- CL2 Operator drive shaft
- A Reveal max. 130mm
- 1 Cable inlet
- 2 Reinforcements required in door leaf and at fixing holes
- LB Extended cover length

Note! State L and LB when ordering



PowerSwing - 2  
Arm system Pull

Swing door operator

**besam**

D

173674