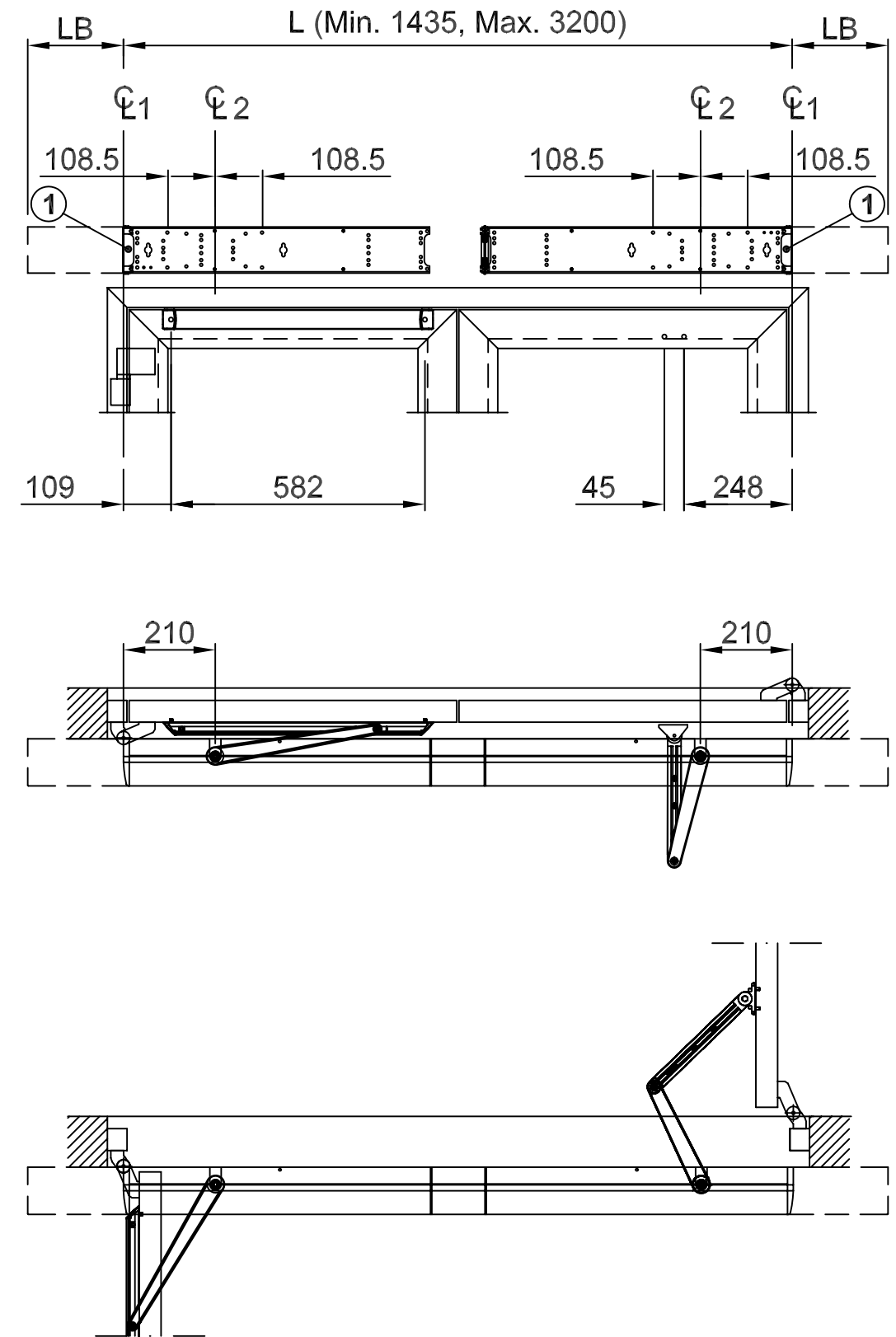


Shaft extension	
Y= 46	0/50
66	20/70

- CL1 Hinges
- CL2 Operator drive shaft
- A Reveal max. 130mm
- 1 Cable inlet
- 2 Reinforcements required in door leaf and at fixing holes
- LB Extended cover length

Note! State L and LB when ordering



PowerSwing - 2  
Arm system Pull + Push/SAS-F

Swing door operator



D

173675