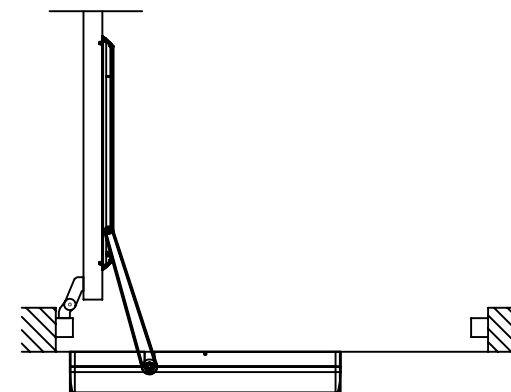
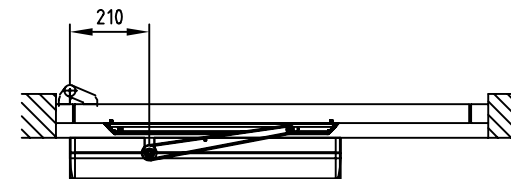
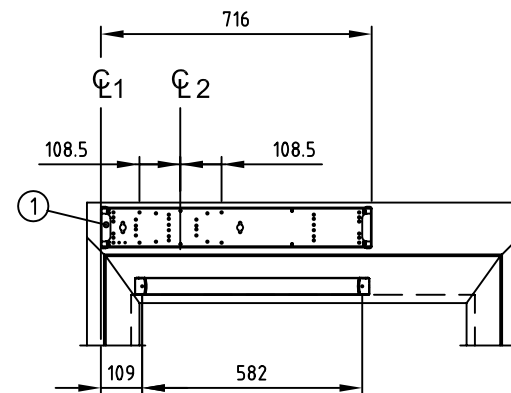


Y=	Shaft extension
69	0
89	20
119	50
136	70

- CL1 Hinges
- CL2 Operator drive shaft
- A Reveal max. 50mm
- 1 Cable inlet
- 2 Reinforcements required in door leaf and at fixing holes

Note! Max. door leaf width 1200mm
Max. door leaf weight 120kg



Customer:

Besam ref:

Door id:

Date:

Project No:

Sign:

PowerSwing
Arm system Pull (as pushing)

Swing door operator

besam

E

173780