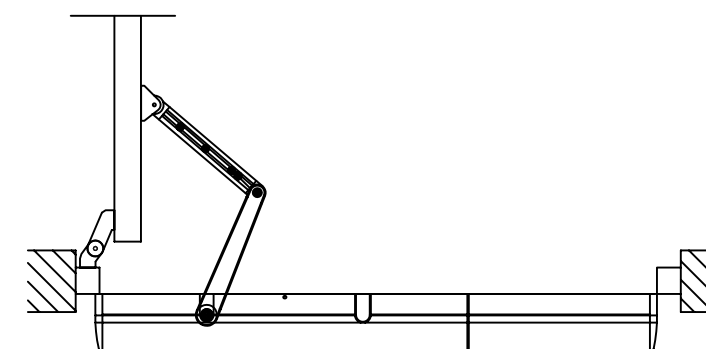
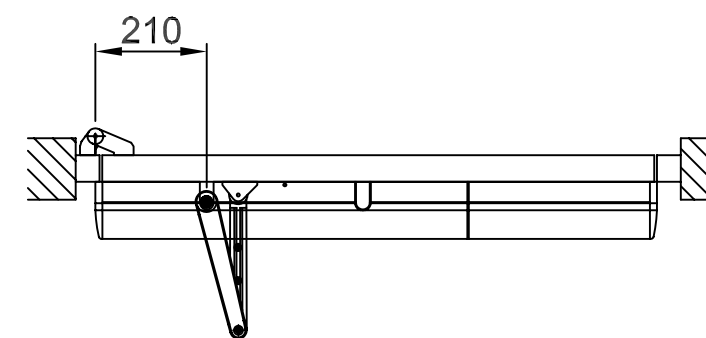
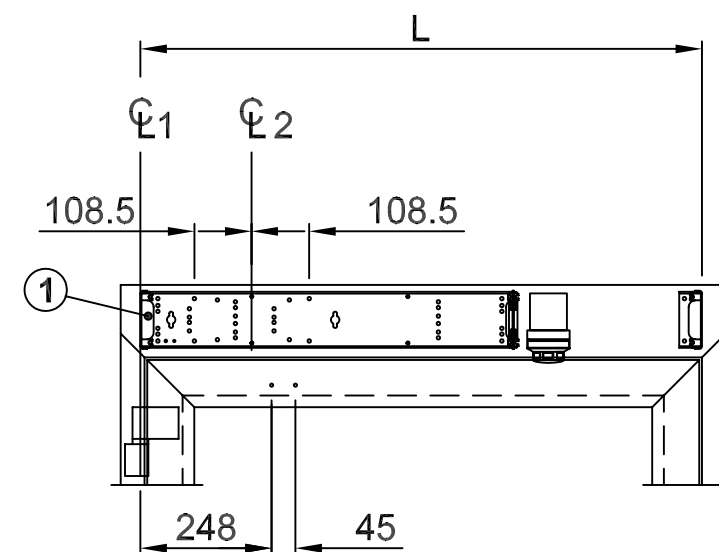


	L Min.	L Max.
Without smoke detector	864	1600
With smoke detector	965	1600

Y=	Shaft extension
48	0
68	20
98	50



- CL1 Hinges
- CL2 Operator drive shaft
- A Reveal max. 130mm
Optional max. 400mm
- 1 Cable inlet
- 2 Reinforcements required in door leaf and at fixing holes

Note! State L when ordering

PowerSwing
for fire rated doors
Arm system SAS-F
Swing door operator



C

173819