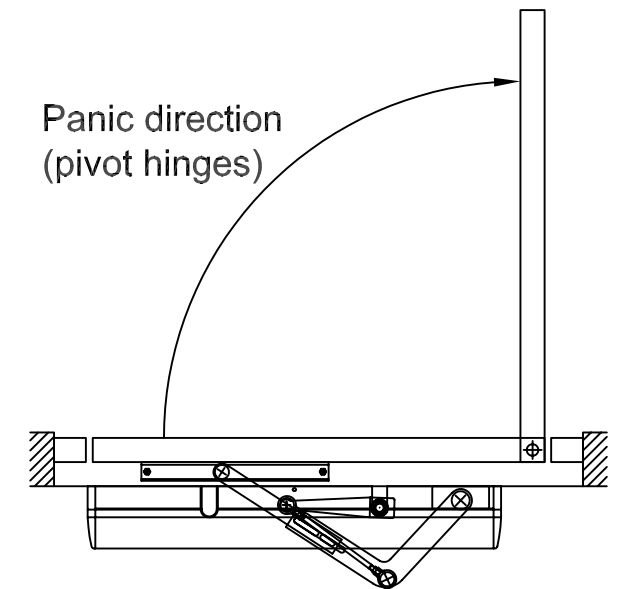
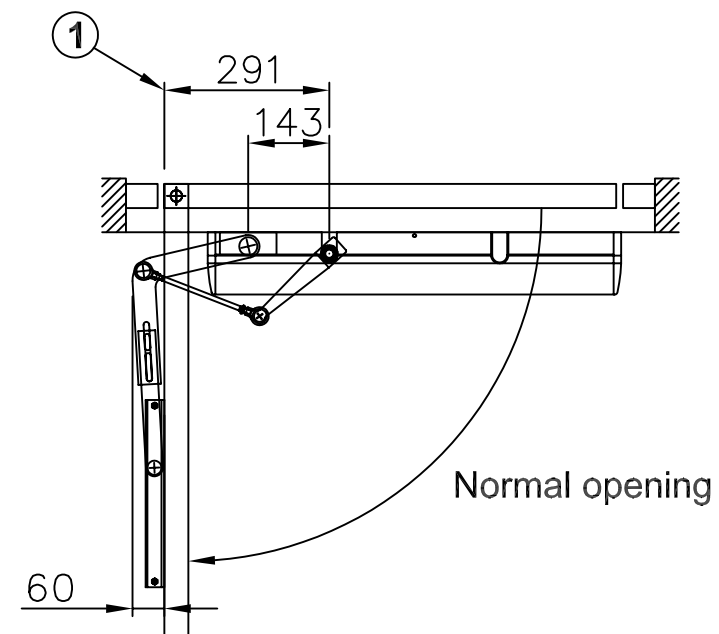


ST-V

ST-H



- CL1 Pivot or butt hinges
- CL2 Operator drive shaft
- A Standard max. reveal 100mm
- 1 Outside open door
- 2 Cable inlet
- 3 Reinforcements required in door leaf and at fixing holes

PowerSwing
Slide-Track Arm system
ST-V/ST-H
Swing door operator



C

173836