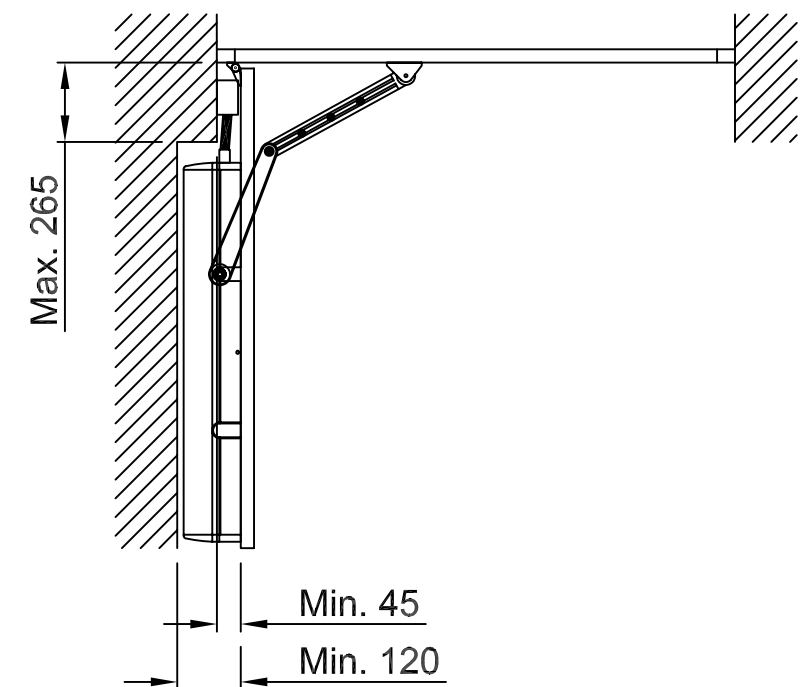
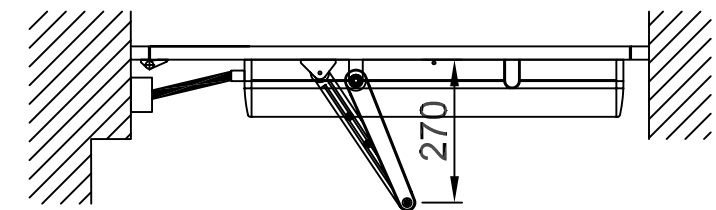


\*/  
Depending on door  
width and wall thickness.  
Min. door width 900mm.



- CL1 Hinges
- CL2 Operator drive shaft
- 1 Door mounting kit (option)
- 2 Reinforcements required in door leaf and at fixing holes

PowerSwing  
Door mounted  
Arm system Push/SAS-F  
Swing door operator



B

173837