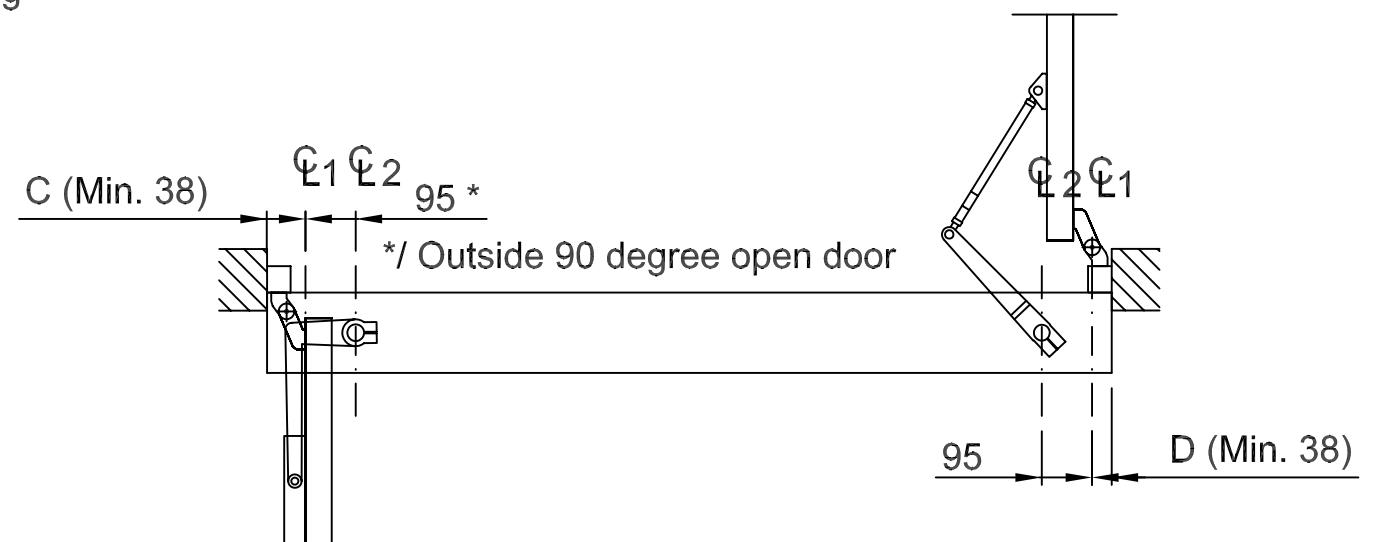
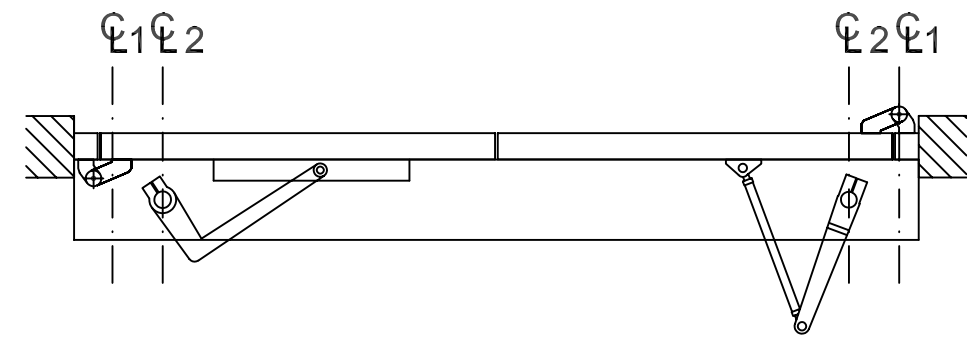
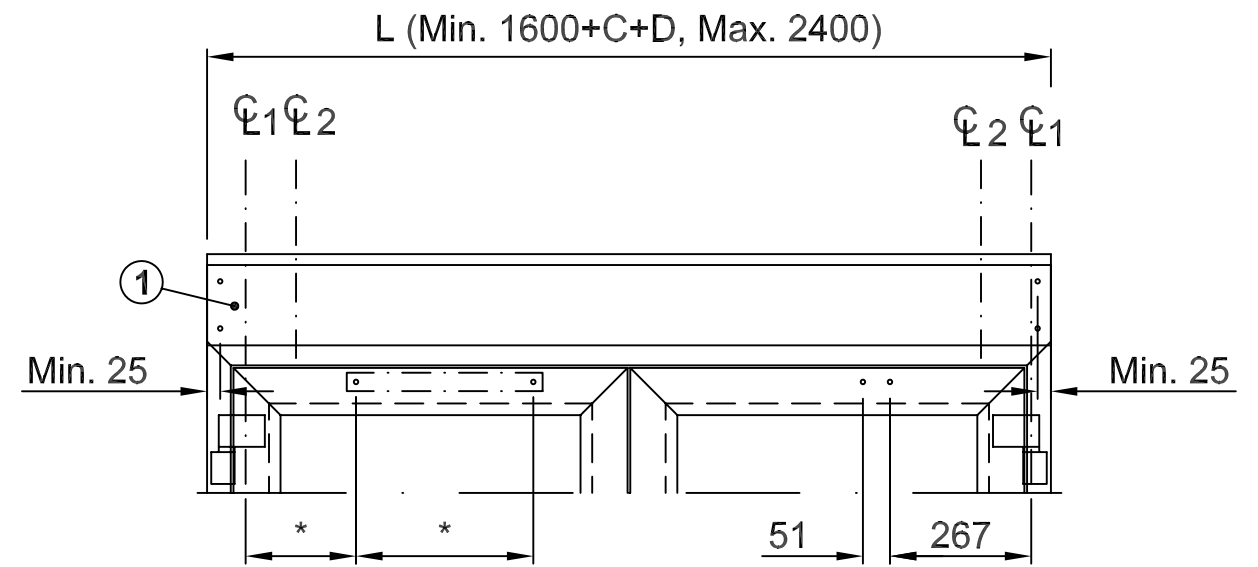


- CL1 Hinges
- CL2 Operator drive shaft
- A Reveal max. 150mm
A+F max. 350
- 1 Fixing holes (4xØ8,5) and holes for cable inlet to be drilled on site
- 2 Reinforcements required in door leaf and at fixing holes
- * To be adjusted during installation

Note! State L, C and D when ordering



IKS-A 2
Arm system PAS+NAS
Swing door operator



E

173510